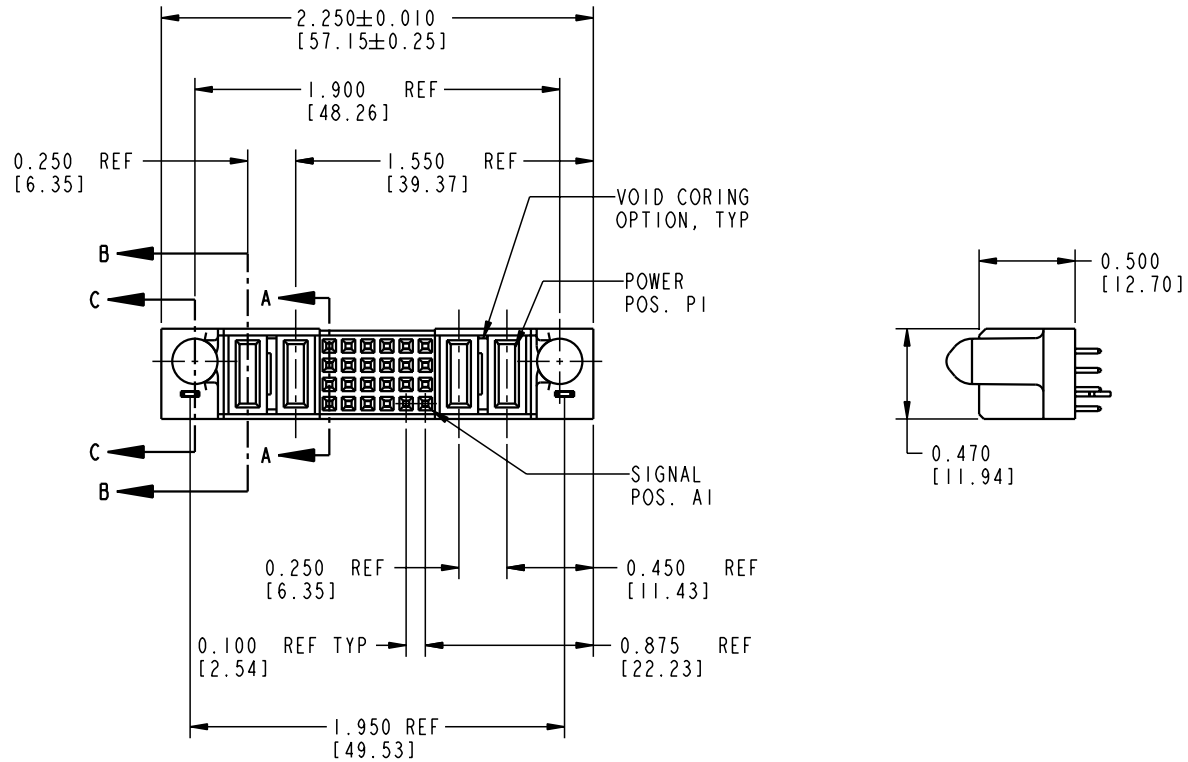


Tous droits strictement réservés. Reproduction ou communication o des liers interdite sous quelque forme que ce soit sans autorisation écrite du propriétaire. Propriete de c FCI. Droits de reproduction FCI.

All rights strictly reserved. Reproduction or issue to third parties in any form whenever is not permitted without written authority from the proprietor. Property of FCI. Copyright FCI.



PRODUCT No.	ROWS	POWER		SIGNAL						POWER		E1	
		E2	P4	P3	6	5	4	3	2	1	P2		P1
51740-10202402AA	D C B A												



CODE	CONTACT TYPE
E	SIGNAL
PA	POWER
HA	HOLD-DOWN

mat'l code		NOTE 1		tolerances unless otherwise specified		CUSTOMER		<b>ELECTRONICS</b> www.fciconnect.com	
ltr	ecn no.	dr	date	linear	.XX±.01/0.X±0.3		COPY		title 2P + 24S + 2P VERTICAL SOLDER RECEPTACLE
A	V02749	CGD	11/28/00		.XXX±.005/0.XX±0.13		projection		
					.XXX±.0020/.XXX±.051				
				angles	0°±2°		INCH/MM		product family PwrBlade
				dr	C. DAILY	11/28/00	scale 1:1		code 213
				engr	J. DODDS	11/28/00	size A		sheet 1 of 2
				chr	J. DODDS	11/28/00	dwg no 51740-10202402AA		
				appd	J. DODDS	11/28/00	cage code 22526		
sheet index	revision sheet	A	A						
1	2								

Pro/E

3

cage code 22526

4

PDM: Rev:A

STATUS: Released

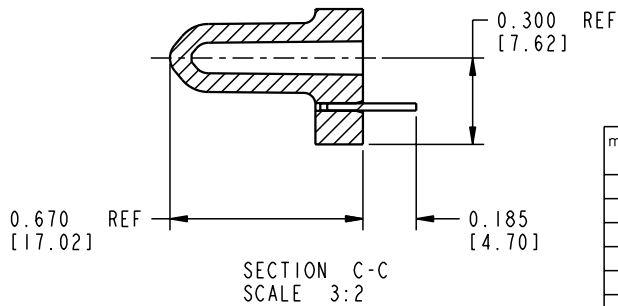
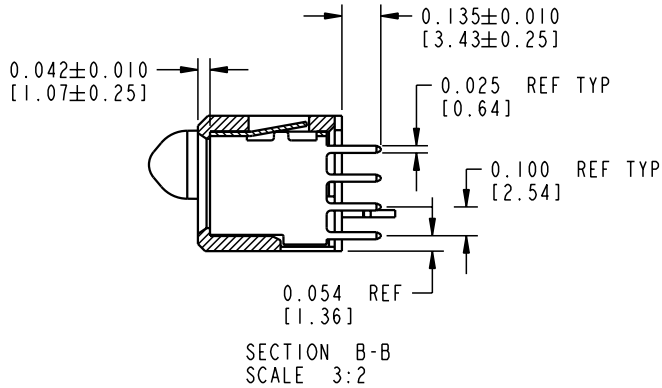
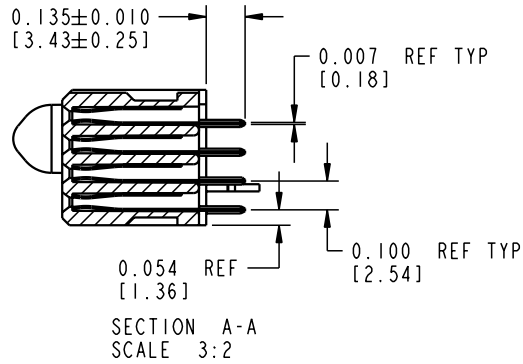
Printed: Aug 14, 2007

Tous droits strictement réservés. Reproduction ou communication o des tiers interdite sous quelque forme que ce soit sans autorisation écrite du propriétaire. Propriété de c FCI. Droits de reproduction FCI.



All rights strictly reserved. Reproduction or issue to third parties in any form whatever is not permitted without written authority from the proprietor. Property of FCI. Copyright FCI.

PRODUCT NUMBER  
51740-10202402AA

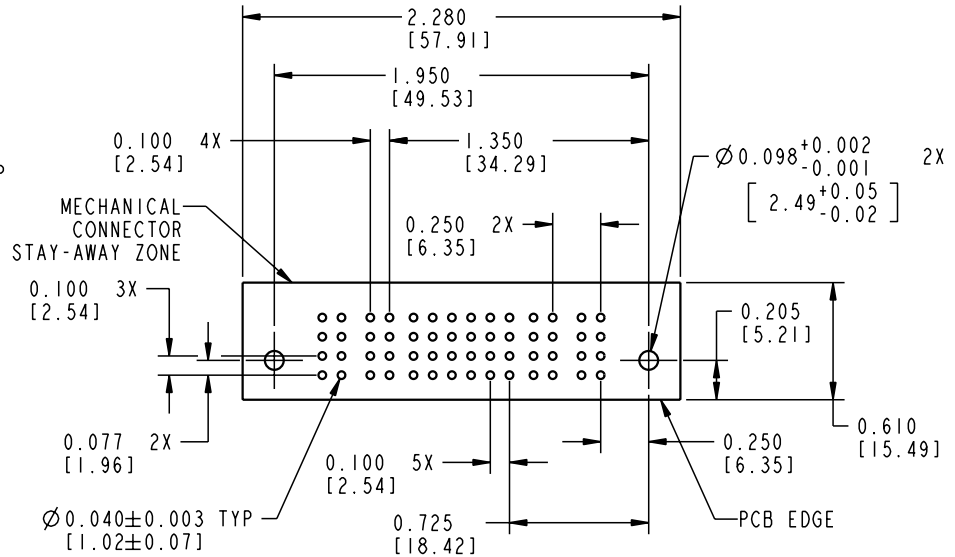


CONNECTOR NOTES:

1. FOR ADDITIONAL INFORMATION, REFER TO DRAWING NUMBER 51740.

PCB NOTES:

- ALL DIMENSIONS ARE BASIC UNLESS OTHERWISE SPECIFIED.
- ALL THROUGH HOLES ARE LOCATED WITH A TRUE POSITION OF 0.004 [0.10]
- ALL HOLE DIAMETERS ARE FINISHED HOLE SIZE
- Ø0.098 [2.49] THROUGH HOLES ARE UNPLATED
- Ø0.0453±0.0010 [1.151±0.025] DRILLED HOLES PLATED WITH 0.0003 [0.007] MIN SnPb OVER 0.001 [0.03] TO 0.003 [0.08] Cu PLATING TO ACHIEVE A Ø0.040±.003 [1.02±0.07] HOLE



mat'l code		NOTE 1		tolerances unless otherwise specified		CUSTOMER		FCI ELECTRONICS	
ltr	ecn no.	dr	date	linear	.XX±.01/0.X±0.3	COPY	projection	www.fciconnect.com	
A				angles	.XXX±.005/0.XX±0.13		INCH/MM	title 2P + 24S + 2P VERTICAL SOLDER RECEPTACLE	
				dr	.XXX±.0020/.XXX±.051		scale	product family PwrBlade code 213	
				engr	0°±2°		1:1	size dwg no 51740-10202402AA sheet 2	
				chr					
				appd					
sheet index	revision sheet								

Pro/E

cage code 22526

PDM: Rev:A

STATUS: Released

Printed: Aug 14, 2007